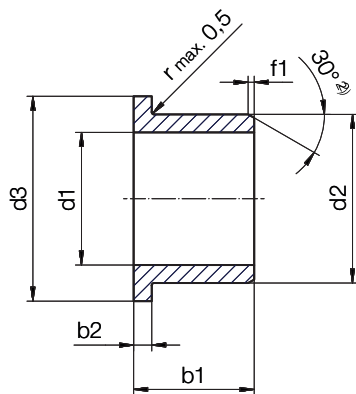


## iglidur® A500 | 產品範圍

## 法蘭軸承 (型號 F)



<sup>2)</sup> 厚度 < 1 mm : 導角 = 20°

倒角和 d1 的關係

d1 [mm]:	Ø 1-6	Ø 6-12	Ø 12-30	Ø > 30
f [mm]:	0.3	0.5	0.8	1.2

尺寸 [mm]

d1	d1- 公差 <sup>3)</sup>	d2	d3 d13	b1 h13	b2 -0.14	產品型號
4.0		5.5	9.5	4.0	0.75	A500FM-0405-04
4.0	+0.010	8.0	12.0	6.0	2.0	A500FM-0408-06
6.0	+0.058	8.0	12.0	4.0	1.0	A500FM-0608-04
6.0		8.0	12.0	6.0	1.0	A500FM-0608-06
6.0		8.0	12.0	8.0	1.0	A500FM-0608-08
8.0		10.0	15.0	5.5	1.0	A500FM-0810-05
8.0		10.0	15.0	7.5	1.0	A500FM-0810-07
8.0		10.0	15.0	9.5	1.0	A500FM-0810-09
8.0	+0.013	10.0	15.0	10.0	1.0	A500FM-0810-10
10.0	+0.071	12.0	18.0	7.0	1.0	A500FM-1012-07
10.0		12.0	18.0	9.0	1.0	A500FM-1012-09
10.0		12.0	18.0	12.0	1.0	A500FM-1012-12
10.0		12.0	18.0	15.0	1.0	A500FM-1012-15
10.0		12.0	18.0	17.0	1.0	A500FM-1012-17
12.0		14.0	20.0	7.0	1.0	A500FM-1214-07
12.0		14.0	20.0	9.0	1.0	A500FM-1214-09
12.0		14.0	20.0	12.0	1.0	A500FM-1214-12
12.0	+0.016	14.0	20.0	13.0	1.0	A500FM-1214-13
12.0	+0.086	14.0	20.0	15.0	1.0	A500FM-1214-15
12.0		14.0	20.0	17.0	1.0	A500FM-1214-17
14.0		16.0	22.0	12.0	1.0	A500FM-1416-12
14.0		16.0	22.0	17.0	1.0	A500FM-1416-17
15.0		17.0	23.0	9.0	1.0	A500FM-1517-09

<sup>3)</sup> 按壓組裝後

測試方法 ▶ 頁碼 57



沒有找到您要的尺寸？

您是否需要其他長度、尺寸或公差？您在尋找一個特殊的設計或取代您應用的其他解決方案？請與我們聯絡。易格斯傾聽您的需求，並在短時間內迅速為您提供解決方案。



產品型號

類型

尺寸 [mm]

A500 F M\_0405\_04

iglidur® 材質	型號 F	公制	內徑 - Ø d1	外徑 - Ø d2	長度 b1
-------------	------	----	-----------	-----------	-------



尺寸符合 ISO 3547-1 標準  
且提供特殊尺寸



也可選用英制尺寸  
▶ 見頁碼 1427

d1	d1- 公差 <sup>3)</sup>	d2	d3 d13	b1 h13	b2 -0.14	產品型號
15.0		17.0	23.0	12.0	1.0	A500FM-1517-12
15.0		17.0	23.0	17.0	1.0	A500FM-1517-17
16.0	+0.016	18.0	24.0	12.0	1.0	A500FM-1618-12
16.0	+0.086	18.0	24.0	17.0	1.0	A500FM-1618-17
18.0		20.0	26.0	12.0	1.0	A500FM-1820-12
18.0		20.0	26.0	17.0	1.0	A500FM-1820-17
18.0		20.0	26.0	22.0	1.0	A500FM-1820-22
20.0		23.0	30.0	11.5	1.5	A500FM-2023-11
20.0		23.0	30.0	16.5	1.5	A500FM-2023-16
25.0		28.0	35.0	11.5	1.5	A500FM-2528-11
25.0	+0.020	28.0	35.0	16.5	1.5	A500FM-2528-16
25.0	+0.104	28.0	35.0	21.5	1.5	A500FM-2528-21
20.0		23.0	30.0	21.5	1.5	A500FM-2023-21
30.0		34.0	42.0	16.0	2.0	A500FM-3034-16
30.0		34.0	42.0	26.0	2.0	A500FM-3034-26
30.0		34.0	42.0	40.0	2.0	A500FM-3034-40
35.0		39.0	47.0	16.0	2.0	A500FM-3539-16
35.0		39.0	47.0	26.0	2.0	A500FM-3539-26
35.0	+0.025	39.0	47.0	40.0	2.0	A500FM-3539-40
40.0	+0.125	44.0	52.0	30.0	2.0	A500FM-4044-30
40.0		44.0	52.0	40.0	2.0	A500FM-4044-40
45.0		50.0	58.0	50.0	2.0	A500FM-4550-50